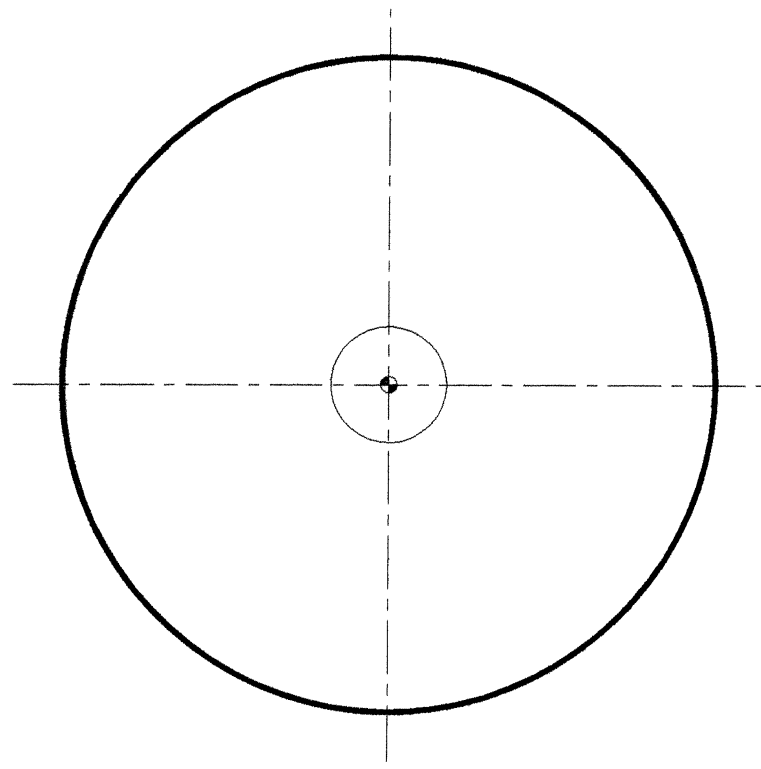
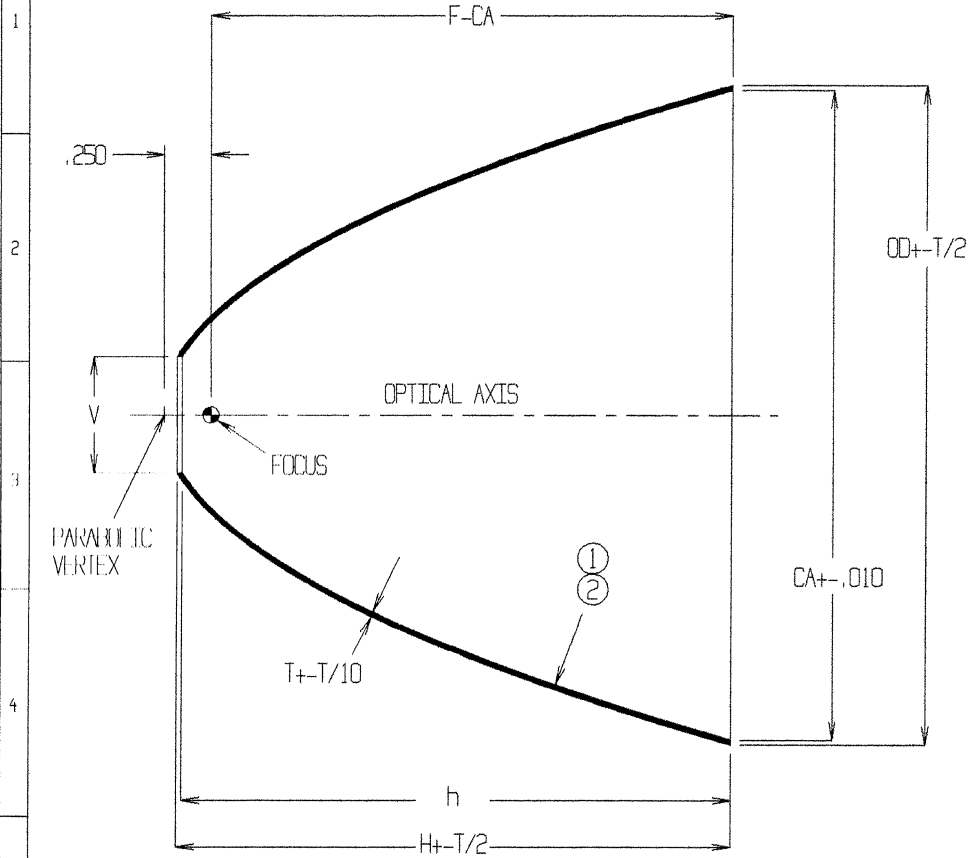


ALL CONCEPTS CONTAINED WITHIN THIS DRAWING ARE PROPRIETARY TO PHOENIX ELECTROFORMED PRODUCTS, INC.
AND MAY NOT BE CONVEYED TO THIRD PARTIES WITHOUT WRITTEN CONSENT

REVISIONS				
ZONE	REV	DESCRIPTION	DATE	APPROVED



NOTE: P= VERTEX APERTURE PARALLEL TO OPTICAL AXIS
NOTE: FP= VERTEX APERTURE PARALLEL TO FOCAL PLANE

.05	1.000	3.500	3.552	2.813	2.813	.025	2.813	FP
.04	1.000	3.500	3.552	2.848	2.813	.025	2.813	P
.03	.625	3.500	3.552	2.994	2.965	.025	2.813	P
.02	1.000	5.385	5.436	7.000	7.000	.025	7.000	FP
.01	1.000	5.385	5.436	7.036	7.000	.025	7.000	P
#	V	CA	OD	H	h	T	F-CA	NOTE

- ① SURFACE FINISH 80-50 SCRATCH-DIG PER MIL-D-13830A
- ② AVAILABLE REFLECTIVE ENHANCEMENT COATINGS:
 AU ELECTRO-DEPOSITED GOLD
 AF VACUUM DEPOSITED ALUMINUM / MAGNESIUM FLUORIDE (MgF₂) OVERCOAT
 AD VACUUM DEPOSITED ALUMINUM / QUARTZ (SiO₂) OVERCOAT
 RH ELECTRO-DEPOSITED BRIGHT RHODIUM

PARABOLIC EQUATION

$$Y^2 = 4FX \quad F = .250$$

<small>UNLESS OTHERWISE SPECIFIED DIMENSIONS ARE IN INCHES TOLERANCES ARE: FRACTIONS .015 .010 .005 .002 .001 DECIMALS .04 .03 .02 .01 .005 .002 .001 ANGLES +/- 1/2 DEG</small>	<small>WTRX</small> ELECTROFORMED NICKEL	PHOENIX ELECTROFORMED PRODUCTS, INC.
	<small>CONTRACT NO.</small> <small>APPROVALS</small> <small>DATE</small> <small>DRAWN</small> LB 7-18-13 <small>ENGR</small> <small>DESIGN ACTIVITY</small>	
<small>FINISH</small> 63 ✓ <small>UNLESS OTHERWISE SPECIFIED</small>	<small>SCALE</small> <small>DD NOT SCALE DRAWING</small>	<small>SIZE</small> CAGE CODE <small>DWG NO</small> PA15 <small>REV</small> <small>SCALE</small> <small>SHEET</small>